

Weather Station

Expandable, up to 10 Reference Quality Parameters

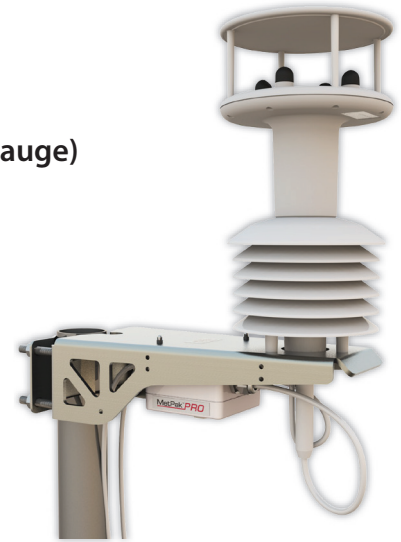
Key Features

- Wind Speed & Direction
- Temperature
- Humidity
- Barometric Pressure
- Dew Point
- 2 Analogue Inputs
- Pt100 Input
- Digital Input (tipping bucket rain gauge)

MetPak Pro monitors the most essential weather parameters with the additional ability to connect up to four external measurement devices.

The system combines a Gill WindSonic ultrasonic wind speed & direction sensor, a highly accurate barometric pressure sensor and Rotronic Hydroclip temperature/humidity probe.

MetPak Pro contains additional inputs allowing for connection of a Pt100 temperature sensor, tipping bucket rain gauge (available from Gill) and two analogue sensors (water level sensor, pyranometer, pressure sensor, soil temperature sensor etc) and is supplied with selectable Gill ASCII, SDI-12 and Modbus outputs.

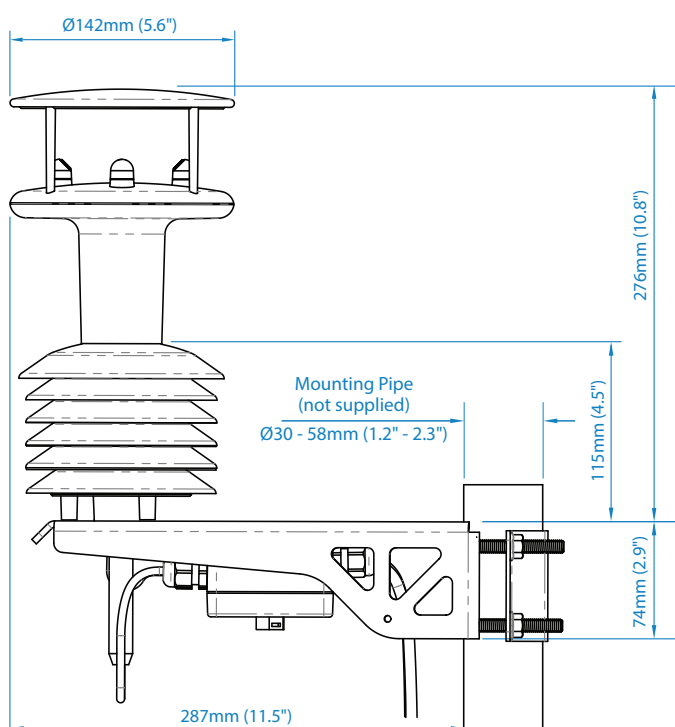


Base Station Options Available

MetPak Pro can be configured with optional rain gauge and remote wind sensors. See page 3 for all wind sensor options.



MetPak Pro



Included

- MetSet configuration software
- MetView data logging/visualisation software
- Mounting kit to adapt to poles or masts
- Selectable ASCII, SDI-12 or Modbus Outputs

Optional

- MetPak Pro Junction Box
Allows an alternative method to connect the sensors to the MetPak in a convenient separate box.
- Heater Interface Box
Ease of connection for remote heated wind sensors.
- Cables
- Tipping bucket rain gauge

WIND MEASUREMENT

Parameters	Wind speed & direction or U & V (Vectors)	
Units of measure	m/s, knots, mph, kph, ft/min	
	Wind Speed	Wind Direction
Range	0-60m/s (134 mph)	0 to 359° - No dead band
Accuracy	±2% @12m/s	±3° @12m/s
Resolution	0.01m/s (0.02 mph)	1°

AIR TEMPERATURE

Air temperature	Pt100 1/3 Class B
Range	-50°C to +100°C
Accuracy	±0.1°C
Resolution	0.1°C (0.1°F)
Units of measure	°C or °F

RELATIVE HUMIDITY

Range	0-100% RH
Accuracy	±0.8% @ 23°C
Resolution	0.1% RH
Units of measure	% RH
Compensated for temperature dependency	

BAROMETRIC PRESSURE

Range	600-1100hPa
Accuracy	±0.5hPa
Resolution	0.1hPa
Units of measure	hPa, mbar, mmHg, inHg
Compensated for temperature dependency -30°C to +70°C	

DEW POINT

Resolution	0.1°C (0.1°F)
Units of measure	°C or °F
Accuracy	±0.15°C (23°C ambient temp @ 20°C dew point)

POWER SUPPLY

Input voltage	5V to 30V d.c.**
Current	<26mA (Output 1 second) @12V d.c.
SDI-12	
Input voltage	12V nominal (9.6-16V d.c.)
Current	<12mA Low power operation

OUTPUTS

Digital outputs	RS232, RS422, RS485*, SDI-12 or Modbus (user selectable) * 2 wire point to point
Baud rates	4800-57600 (ASCII) or 1200 (SDI-12)
Protocols	ASCII, SDI-12 V 1.3, Modbus (RTU and ASCII)
Data output	1s, 2s, 4s or polled mode

INPUTS

Analogue 1	0-5 V or 4-20mA loop or self powered
Analogue 2	0-5 V or 4-20mA loop or self powered
MetPak Pro A-D Conversion	12 bit resolution with an accuracy of ± 0.1% of reading +35µV offset
Pt100 Temperature Probe	4 Wire Pt100 conforms to IEC 60751
Digital	Contact closure for tipping bucket rain gauge Capable of capturing events up to 10Hz

ENVIRONMENTAL

Protection class	IP65
EMC	EN 61326
Operating temperature	-35°C to +70°C
Storage temperature	-40°C to +80°C
Operating humidity	0% to 100% humidity

MECHANICAL

External construction	UV stabilised white thermoplastic
Fittings	Anodised Aluminium bracket to allow fitting to 30mm to 58mm mast dimensions
Weight	2.1 kg (including bracket)

SOFTWARE

MetView	Free software for the display of data and logging
MetSet	Free software for the configuration of the MetPak, MetPak RG & MetPak Pro

OPTIONAL ACCESSORIES

Cables	15m Power & Data cable USB Configuration cable
Hardware	Tipping Bucket Rain Gauge MetPak Pro Junction Box MetPak Pro Junction Box PCB MetPak Pro Junction Box Mounting Bracket Heater Interface Box

** For Base Station please check the individual anemometer datasheets

Specifications may be subject to change without prior notice.

MetPak Pro integrates industry leading products in a convenient, economical package allowing users to concentrate on the measurement rather than the quality of the measurement. Calibration services available from Gill.

Base Station

MetPak Pro is available as a Base Station which enables the system to be specified with a remote wind sensor if required. This sensor can be positioned away from the Base Station and a connection cable is provided.

The Base Station has been tested in accordance with BSEN 60945 and is suitable for use in marine environments. This system, which includes inputs for a Pt100 temperature sensor, tipping bucket rain gauge (available from Gill) and two analogue sensors, can also be specified without a wind sensor if wind measurement data is not required.

MetPak Pro can be specified with a wind sensor from any of the options shown below:



Sensor Options



WindSonic

For wind speed and direction measurements to 75 m/s. Corrosion free, polycarbonate housing.



WindSonic M

Wind speed and direction measurements to 60 m/s with heating and impact resistant to UL2218 Class 1 & BSEN 60945.



WindMaster

Three dimensional wind measurements up to 45 m/s in a lightweight carbon fibre/aluminium construction.



WindMaster PRO

Three dimensional wind measurement up to 65 m/s in a stainless steel housing.



WindObserver

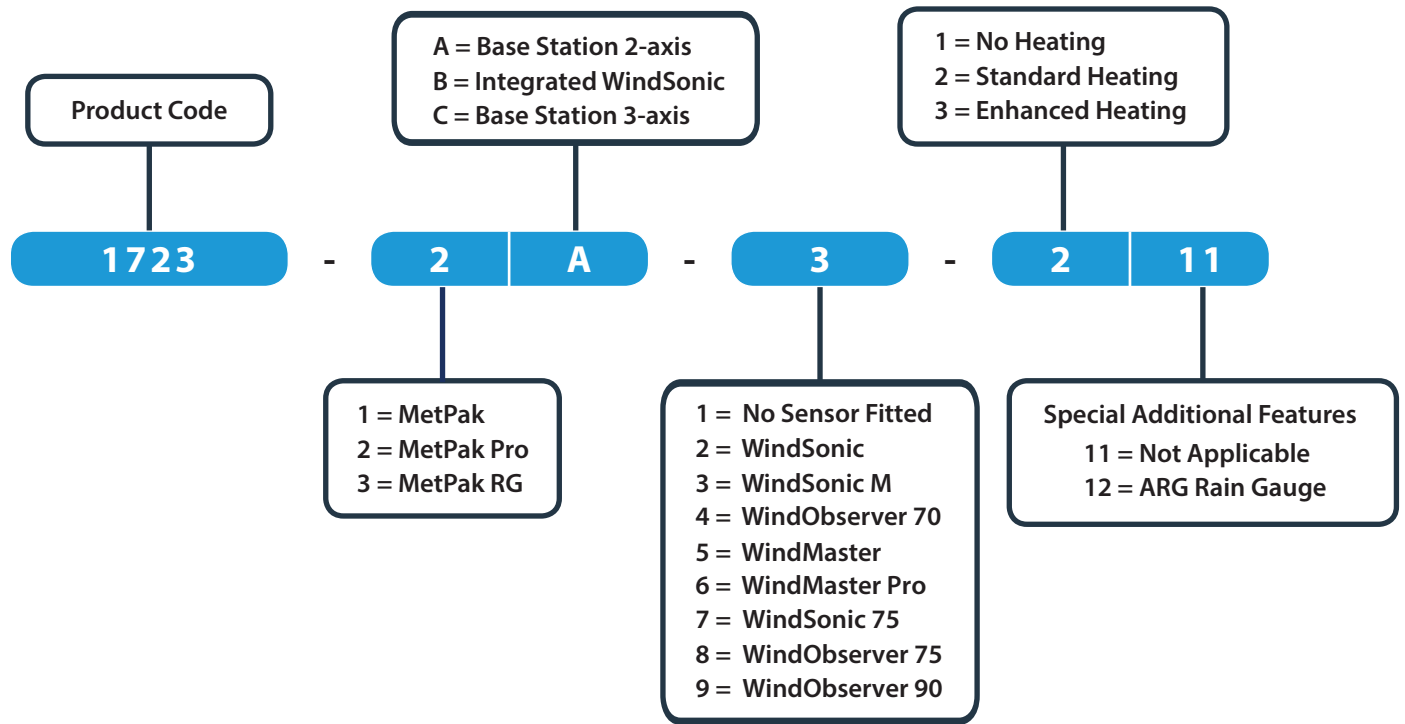
With enhanced heating and wind measurements up to 90 m/s for extreme conditions.



RAINGAUGE

ARG100 Professional quality tipping bucket Rain Gauge.

Product options may be model specific. Consult the Gill sales team for availability



Gill Instruments

Saltmarsh Park, 67 Gosport Street
 Lymington, Hampshire SO41 9EG
 United Kingdom

Tel: +44 (0) 1590 613 500
 Fax: +44 (0) 1590 613 501
 contact@gillinstruments.com



www.gillinstruments.com

1723-0011 Iss 7

Copyright © Gill Instruments 2017

Gill Instruments Limited, Reg No. 2281574

Registered Office: The George Business Centre, Christchurch Road, New Milton, BH25 6QJ